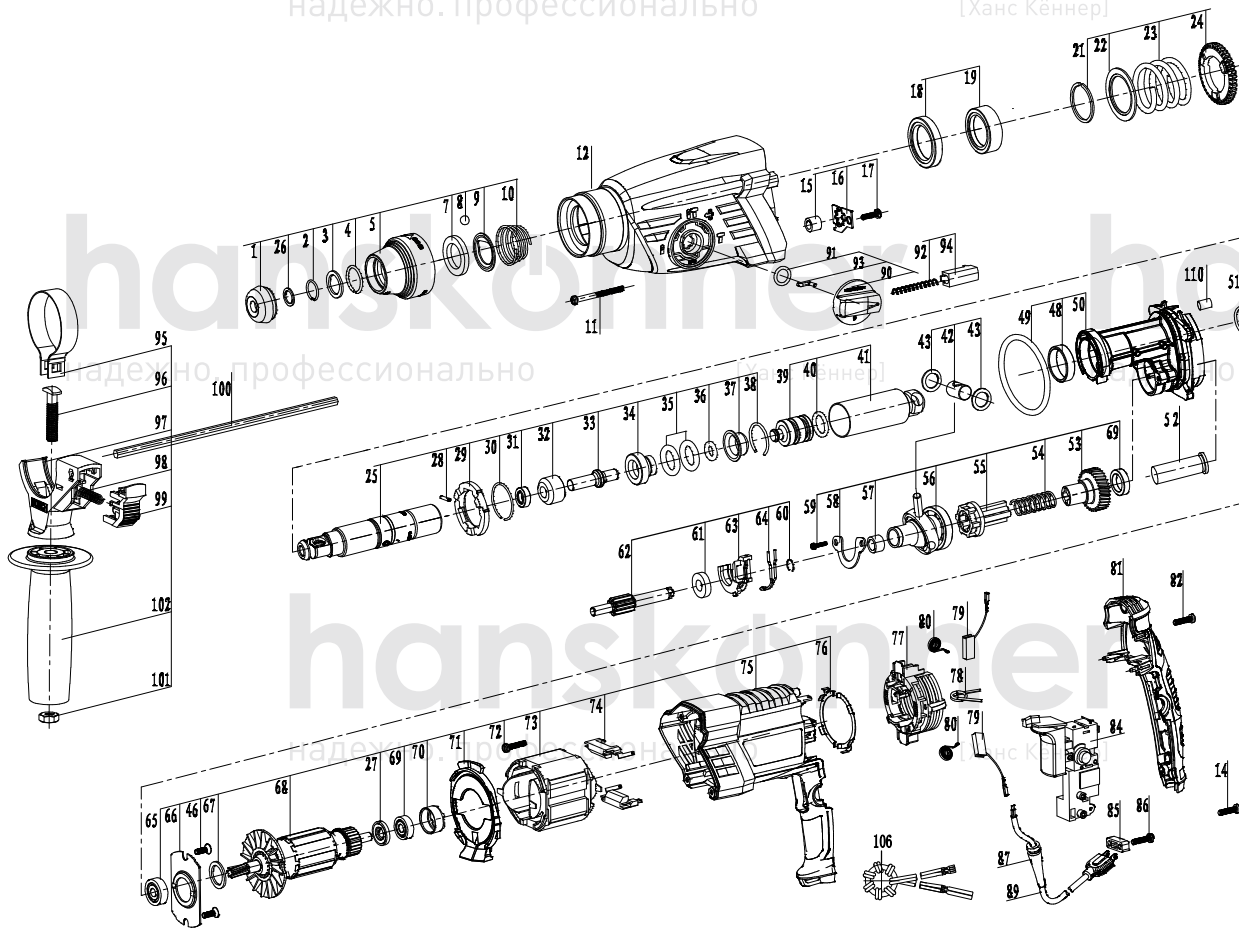


HRH0928MLRE

hanskonner

надежно. профессионально

[Ханс Кённер]



NO.	DESCRIPTION	NO.	DESCRIPTION
1	DUST CAP	55	CLUTCH DISK 2
2	CIRCLIP $\Phi 14 \times 1.5$	56	ROCKER BEARING
3	WASHER $\Phi 16 \times \Phi 22 \times 1.6$	57	HK0910 NEEDLE BEARING
4	CIRCLIP $\Phi 19 \times 2$	58	ROCKER BEARING PRESS PLATE
5	LOCKING SLEEVE	59	SCREW M5X14
7	WASHER $\Phi 21 \times \Phi 32 \times 6$	60	CIRCLIP $\Phi 8$
8	STELL BALL $\Phi 7.14$	61	699 BEARING
9	RING SPRING FLORIATE WASHER	62	MIDDLE GEAR
10	SPRING	63	SHIFT FORK
11	SCREW ST4.5X40	64	SHIFT FORK SPRING
12	FRONT HOUSING	65	609RS BEARING
14	SCREW ST4.2X16	66	BEARING PRESS PLATE
15	HK0709 NEEDLE BEARING	67	BEARING WASHER $\Phi 9 \times \Phi 14 \times 0.5$
16	NINE DENS WASHER	68	ROTOR
17	SCREW M4X14	69	607RS BEARING
18	OIL SEAL $\Phi 30 \times \Phi 43 \times 6$	70	BEARING COVER
19	BEARING H6806	71	WIND GUIDE
21	CIRCLIP $\Phi 28 \times \Phi 32.6 \times 1.5$	72	SCREW ST3.5X14
22	WASHER $\Phi 30 \times \Phi 43 \times 1.5$	73	STATOR
23	SPRING	74	TERMINAL BOARD
24	BIG GEAR	75	HOUSING
25	ROTARY SLEEVE	76	SWITCH CONTACT
26	WASHER $\Phi 11 \times \Phi 17 \times 1$	77	CARBON BRUSH HOLDER
27	INSULATION WASHER	78	SPRING
28	PIN $\Phi 2.5 \times 12$	79	CARBON BRUSH
29	CLUTCH DISK	80	COIL SPRING
30	CIRCLIP $\Phi 28 \times 1.5$	81	BACK COVER
31	OIL SEAL $\Phi 9.2 \times \Phi 16 \times 5$	82	SCREW ST4.2X30
32	POSITION-LIMITED SLEEVE OF IMPACT ROD	84	SWITCH
33	IMPACT ROD	85	CORD CLAMP
34	IMPACT ROD SLEEVE	86	SCREW ST4.2X16
35	O-RING $\Phi 18 \times 3.5$	87	CORD SLEEVE
36	O-RING $\Phi 9.6 \times 3.5$	89	CORD
37	DAMPING BUSHING	90	MODEL SELECTOR KNOB
38	CIRCLIP $\Phi 28 \times 2$	91	O-RING $\Phi 11 \times 2.5$
39	PISTON	92	MODEL SELECTOR SPRING
40	O-RING $\Phi 17 \times 3$	93	MODEL SELECTOR IRON CORE
41	CYLINDER	94	LOCKING BUTTON
42	CYLINDER PIN	95	HANDLE STEEL RING
43	CYLINDER WASHER	96	T-BOLT
46	SCREW M4X10	97	HANDLE SEAT
48	BRACKET BUSHING	98	DEPTH GAUGE LOCK SPRING
49	BRACKET O-RING $\Phi 59.5 \times 5$	99	DEPTH GAUGE LOCK
50	BRACKET	100	DEPTH GAUGE
51	O-RING $\Phi 23.2 \times 2.4$	101	M8 NUT
52	GEAR FIXED PIN	102	AUXILIARY HANDLE
53	BEVEL GEAR	106	INDUCTOR
54	SPRING	110	WOOL FELT

hanskonner

надежно. профессионально

[Ханс Кённер]

hanskonner

надежно. профессионально